

FEATURES

- Reduced size: 90 x 60 x 35 mm (2 DIN units).
- No external power supply required other than the bus.
- DIN rail unit assembly (EN 50022), with snap fit clamp.
- KLIC-DA allows half-duplex communication with hydrobox LT climate systems.
- KNX bus coupling unit integrated.
- CE compliant.

Programming/test button: short button press to set the programming mode. If this button is held while plugging the device into the KNX bus, it goes into safe mode.

LED: programming mode indicator (red). When the device goes into safe mode, it blinks (red) every half second. During KLIC-DA - hydrobox unit communication, the LED lights in green/blue.

Communication cable: 2-wire cable, direct to P1/P2 connectors that can be found at the hydrobox unit, or in the wired remote control

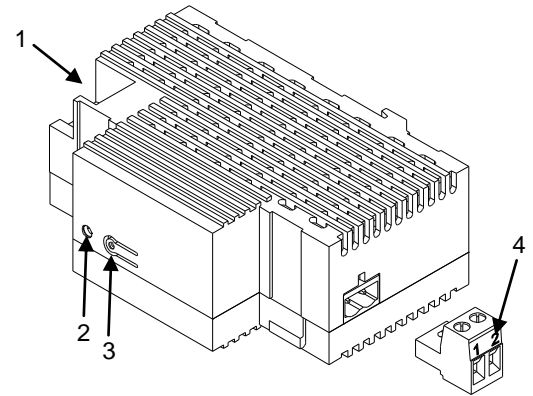


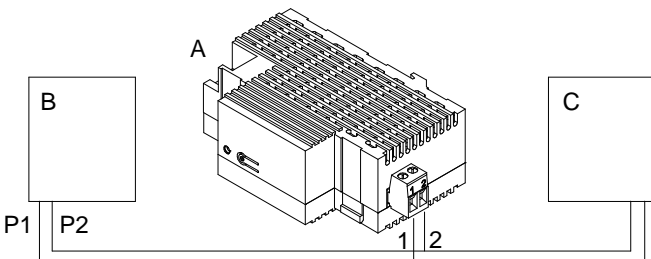
Figure 1. KLIC-DA

- | | | |
|----------------------------------|--------------------|-----------------------|
| 1. KNX Connector | 2. Programming LED | 3. Programming button |
| 4. 2-wire communication terminal | | |

GENERAL SPECIFICATIONS

Concept	Description	
Device Type	Electric operation control device	
KNX Supply	Voltage	29V DC SELV
	Voltage range	21...31V DC
	Consumption	10mA
	Connection type	Typical bus connector TP1, 0.50 mm ² section
External supply	Not required	
Operation temperature	0°C to +55°C	
Storage temperature	-20°C to +70°C	
Ambient humidity (relative)	30 to 85% RH (no condensation)	
Storage humidity (relative)	30 to 85% RH (no condensation)	
Complementary characteristics	Class B	
Safety class	II	
Operation type	Continuous operation	
Device action type	Type 1	
Type of protection	IP20, clean environment	
Assembly	Independent control assembly device to be mounted inside of electrical panels with DIN rail (EN 50022)	
Connection KLIC-DA with hydrobox unit	No-polarity 2-wire cable, max. length equal to 500m (not provided)	
Minimum clearances	Not required	
Response to bus voltage failure	Complete data saving	
Response to bus failure recovery	Data recovery and commands sending as programmed	
Operation indicator	LED On when pushing programming button (red) or half-duplex communication with the hydrobox unit (green/blue)	
PCB CTI index	175 V	
Enclosure	PC+ABS FR V0 halogen free	
Weight	Aprox. 106gr.	

CONNECTIONS TO P1/P2 CONNECTOR DIAGRAM^{(*)(**)}



A	KLIC-DA
B	Wired remote control
C	Hydrobox unit
P1/P2	Hydrobox unit connection bus
1 - 2	Zennio connection terminal
(*) Only one hydrobox unit per KLIC-DA	
(**) Consult compatibility table in www.zennio.com	
(***) Follow wired remote control configuration instructions shown in the user manual	

Figure 2: KLIC-DA with wired remote control^(***)

SAFETY INSTRUCTIONS



- Do not connect the mains voltage (230 V) or any other external voltages to any point of the KNX bus. Connecting an external voltage might put the entire KNX system at risk.
- Make sure during the installation that there is always sufficient insulation between the mains voltage 230V and the bus or the extension inputs.